

3D CSS ceiling suspension



The modular 3D CSS ceiling suspension-system has been designed to be operated with the RADRAY H-system and the RADRAY WS. The 3D CSS is available with modular design with or w/o motorized movements or with or w/o automatic cassette size sensing. The wide travel range allows exposures on stretchers in front of the Bucky system or can be used for direct radiography outside the radiography system.

- Easy handling
- Precise movements in all directions
- Electromagnetic brakes
- Motor controlled movements (option)
- Travel range up to:
 - Longitudinal : 3,52 m - 5,66 m
 - Lateral :2,21 m – 3,21 m (depending on the configuration of the system)

Basic configuration



Electromagnetic brakes	Lateral /Horizontal direction
Lateral travel	3 m
Digital sensing of position	Incl.
Integrated brakes	3D support stops in each position of travel range
Locking roller with center position catch	Incl.
Telescope with mechanical centering device	Incl.
1 pair of High Voltage cables	Incl.
Cable set	Incl.
Manual collimator	Incl.

Additional

Automatic Cassette Size Sensing	option
Tomography	option
Vertical motorized tracking of a wall or table Bucky	option
Lateral travel extension to 4 m	option
Teleopic extension by 20 cm	option
Automatic collimator AL 01	option

Accessories

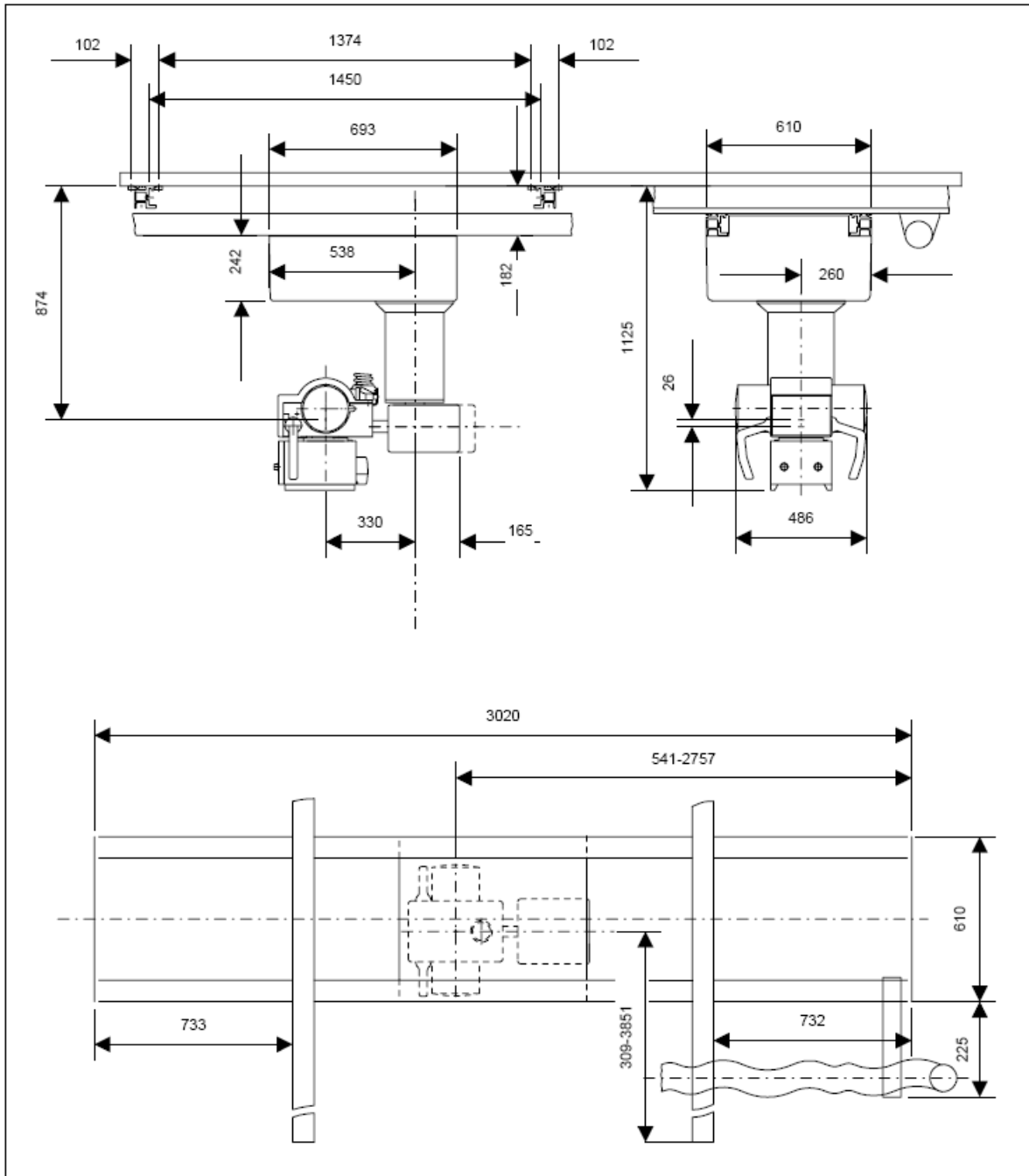
Harmogenizing filter pelvis	Article no. 8375917
Harmogenizing filter skull	8375909
Harmogenizing filter foot	8375925
Harmogenizing filter pediatric skull	8375891
Harmogenizing filter shoulder	8375933
Skoliosis filter	8375461
Support for 8 filters	8375941

Technical data

Minimum focus –ceiling distance	874 mm
Vertical telescope travel	1500 mm
Longitudinal travel range	Min. 3542 mm to 5667 mm (with extensions)
Catch-positions	Catch-positions
Transverse travel range	Min. 2216 ^{*1)} bis 3216 ^{*2)} mm; with carriage: ^{*1)} 3m; ^{*2)} 4m
Tube rotation range, horizontal axis	+120 ; at +90;0;-90 degrees
Catch- positions	-90 ;0;+90 degrees
Tube-rotation, vertical axis	+154 /-182 degrees; catch-positions at +90,0,-90 degrees
Tomography (option)	8 degrees ; 0,4 or 0,8 sec.
	20 degrees; 0,6 sec.
	30 degrees; 0.8 sec.
	40 degrees; 1,2 sec. or 2,0 sec.
Front display digital readout	SID Horizontal tube rotation angle

Longitudinal and transversal rails can be shortened at the time of installation, leading to modified travel range limits

Dimensions:



CE 0473

STARMED International Medical Systems GmbH • An der Ronne 7 • D-50259 Pulheim
Fon: +49 (0) 2234 658 208 • Fax: +49 (0) 2234 658 210 • E-Mail: info@starmedpro.com • <http://www.starmedpro.com>