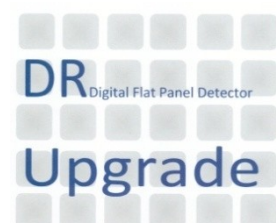
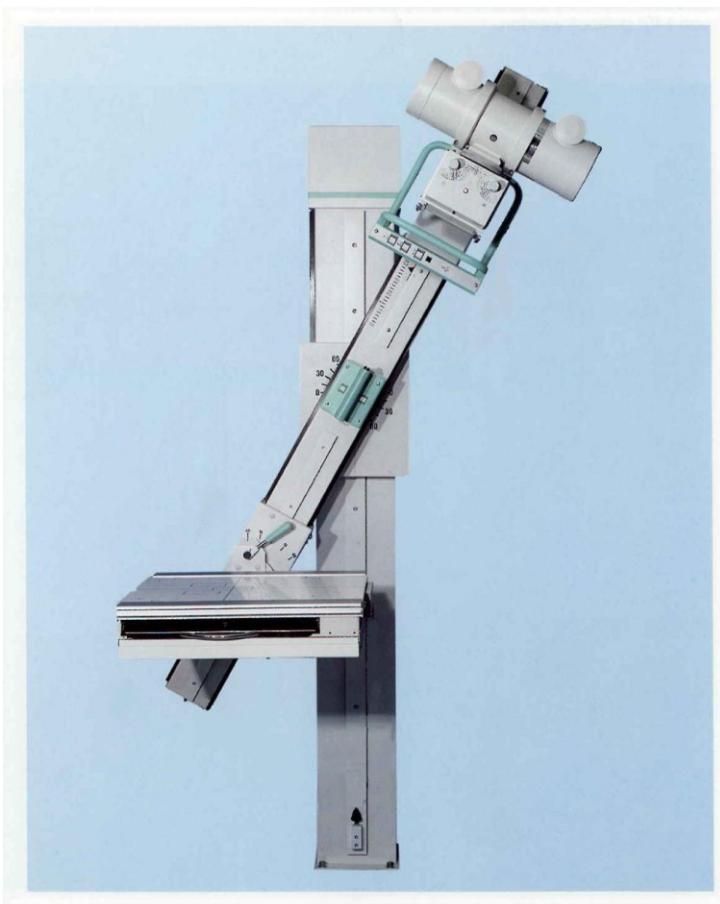


# RADRAY U System

## Universal Radiography Unit



Versatile equipment for general radiographic examinations, to be used in a narrow working-area with the option combining it with a mobile and independent table. All movements are perfectly balanced controlled with electromagnetic brakes by a switch on the control box of the x-ray tube assembly and on the control box of the rotating arm. The Focus-Film Distance (FFD) can be adjusted by motorized movement.

#### Application:

The universal x-ray system allows the following kind of radiographies: Abdominal, Thoracic, Skull, Peripherals in horizontal and vertical position.

#### Features:

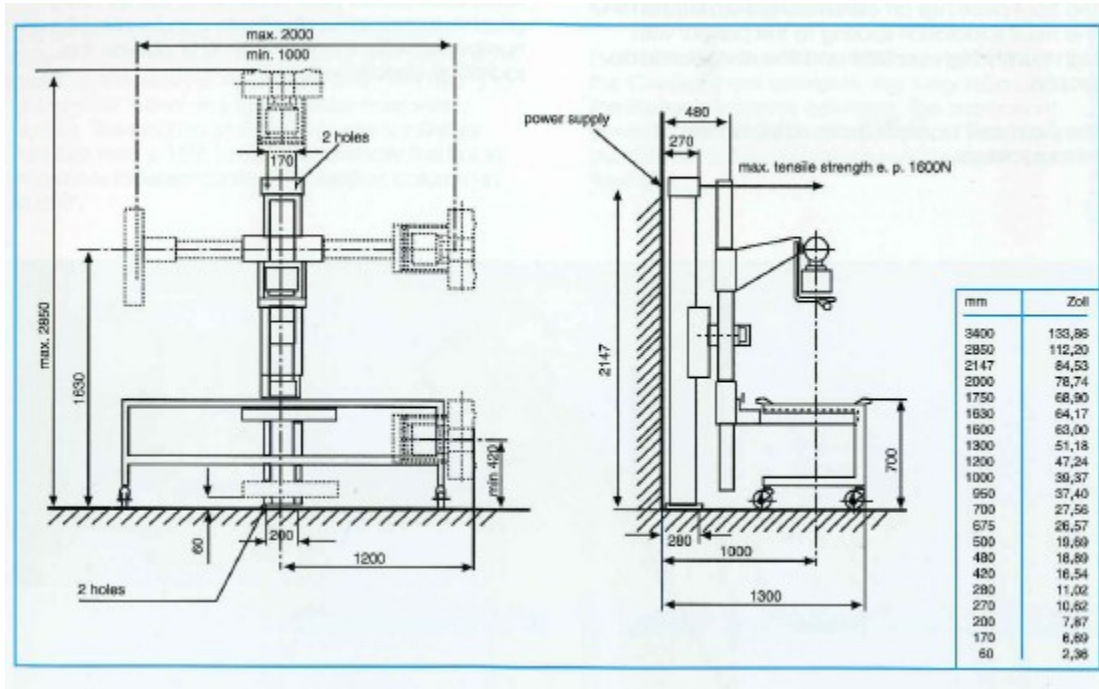
- Universal applications
- Minimum floor space requirements
- Cost effective solution
- Rotation of U-arm +135 to -35 degrees
- Tilttable Bucky for oblique projections
- Ergonomical design
- Electromagnetical brakes
- Easy counter balanced positioning
- Automatical centering
- Height adjustable U arm from 42-163 cm (Center)

Patient table with 4 wheels and mechanical brakes (option)



- Easy positioning
- Low absorption of the table top
- Patient mattress (Option )

## Measurements



CE 0473